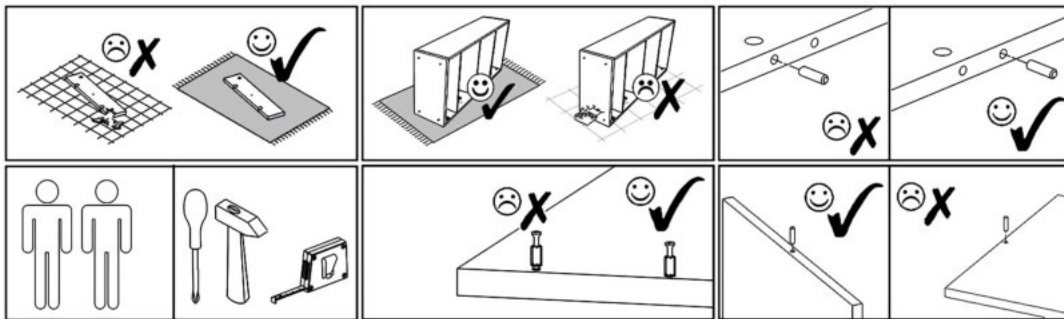
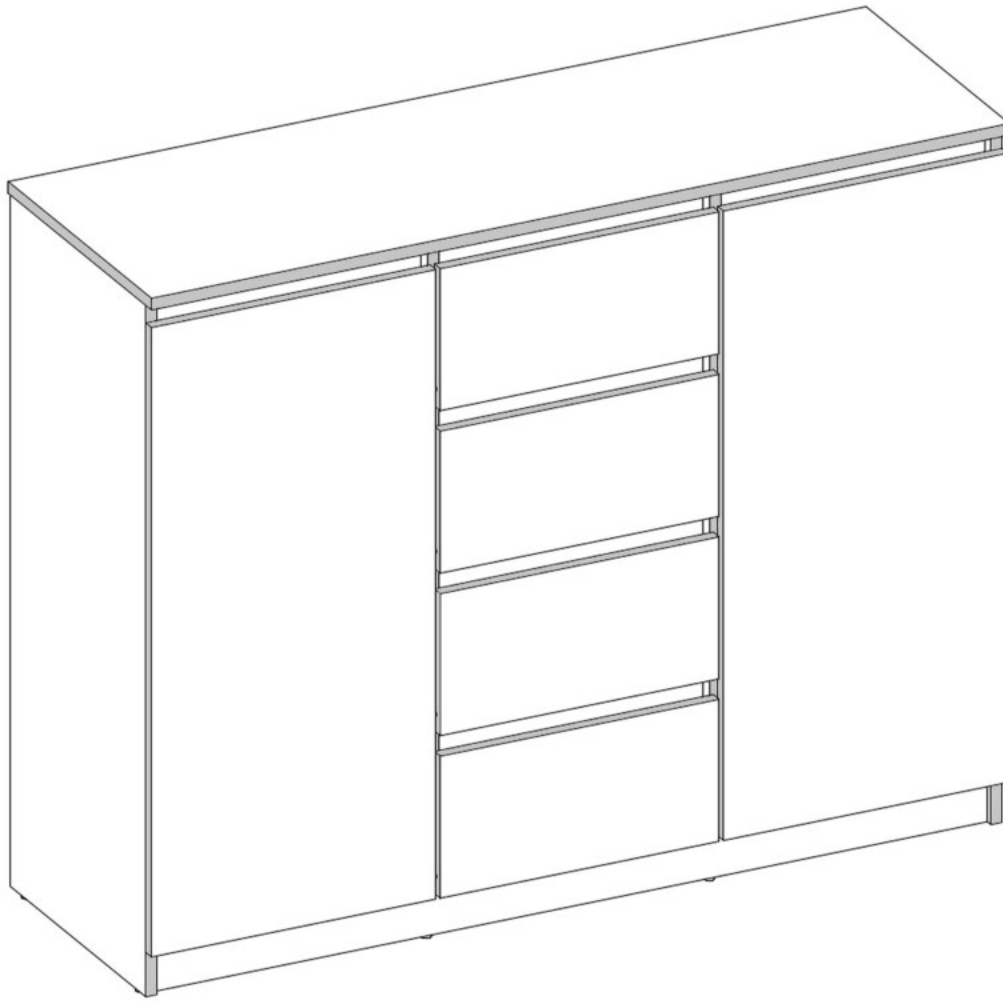




















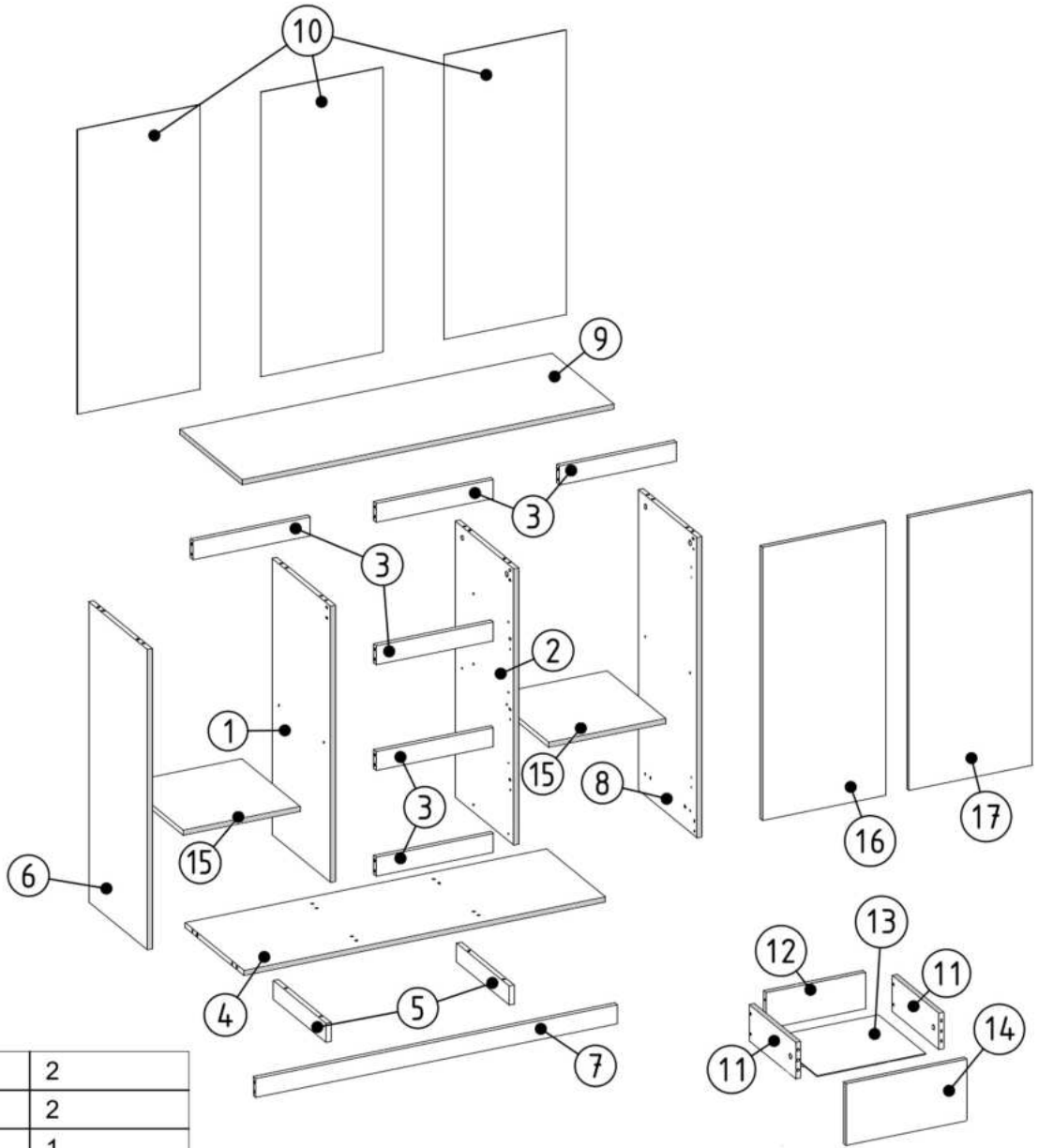


PRODUCTION DATE	PACKING CODE



S1  3,5x16mm x24	V16  5x16mm x8	A1  ZP x4	B1  B ø17/4mm x8	S6  2,5x20mm x10	F1  7x50mm x4	F3  Hex 4mm x1	N2  L=45mm x30	V15  x10	V12  x1	M1  12x15mm x34	Z2  x16
T1  x8	Z1  x80	P3  L=350mm x4	R1  6x8mm x16	E4  8x70mm x6	V13  x1	N6  L=82mm x2	E1  8x30mm x38	IM240826			

PRODUCTION DATE	PACKING CODE

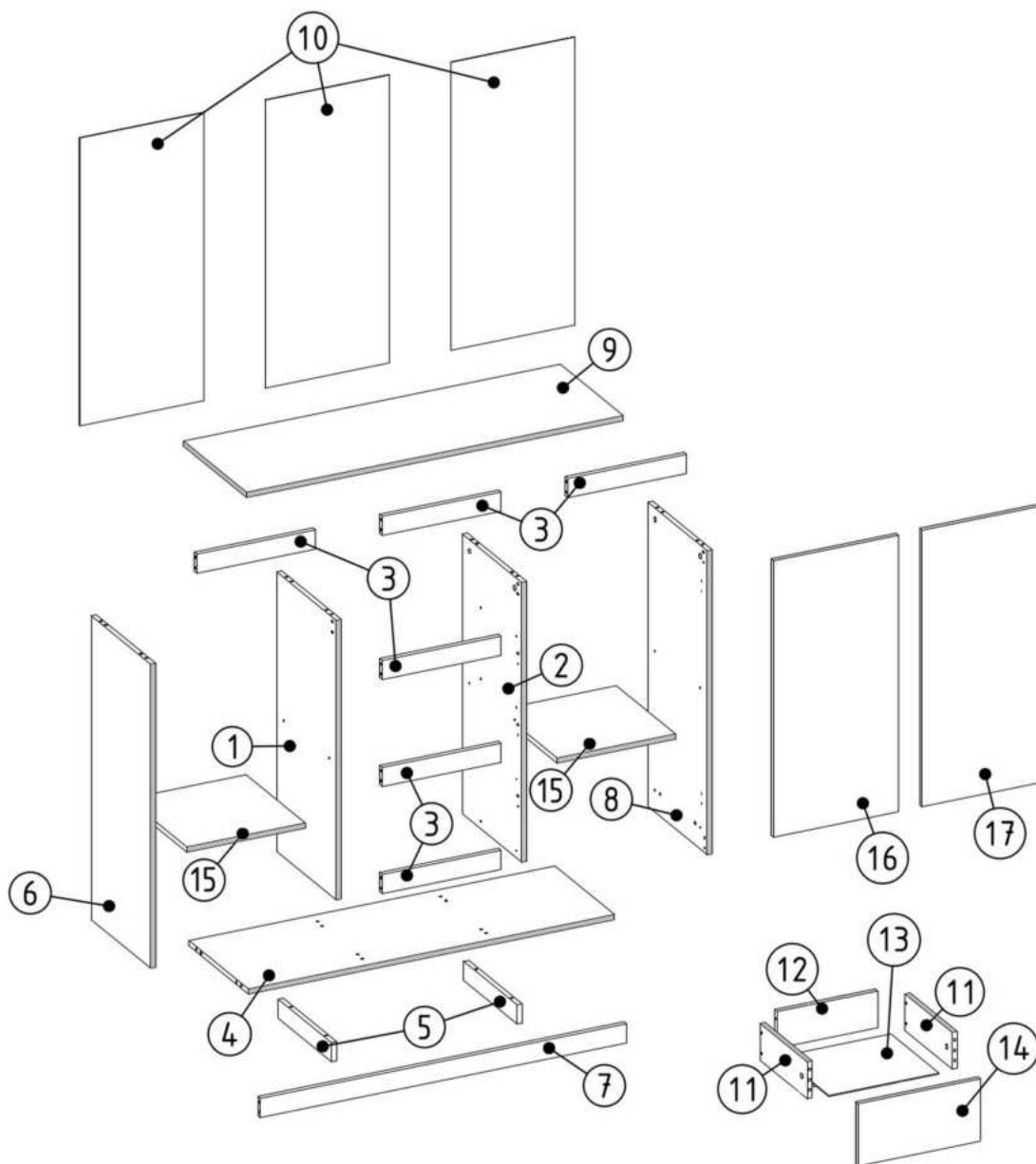






000081	16	2
000072	15	2
000075	14	1
000057	13	1
000039	12	1
000055	11	2
000217	10	3
000245	9	1
000278	8	1
000241	7	1
000277	6	1
000045	5	2
000242	4	1
000271	3	6
000206	2	1
000205	1	1
ID	NUMBER	QUANTITY



2D4S

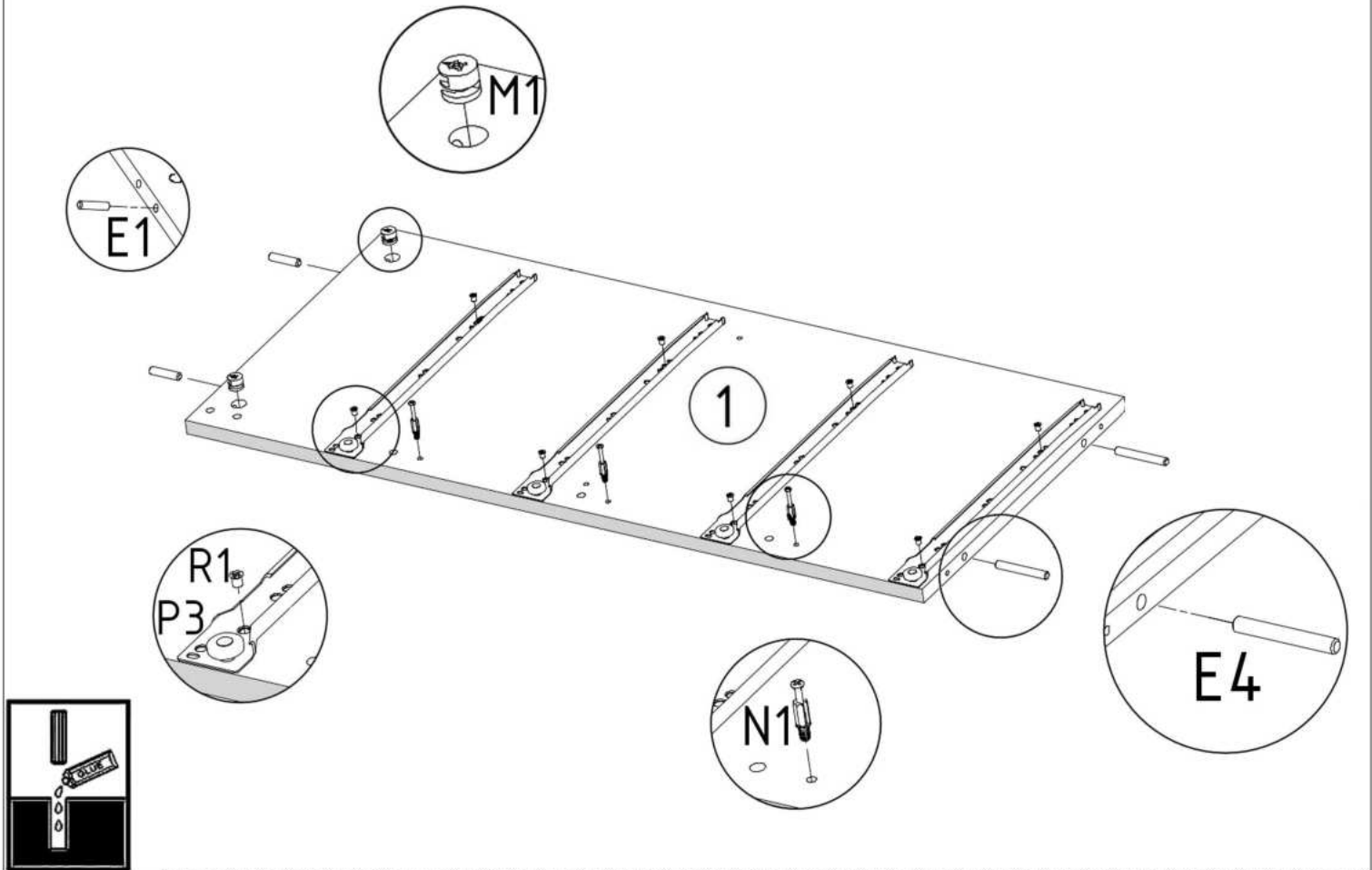
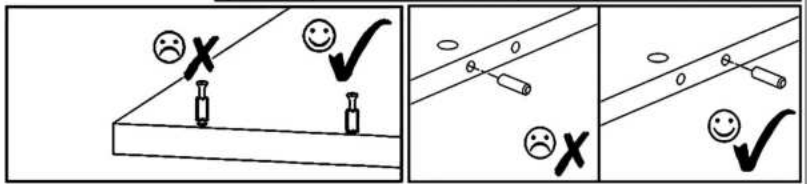
PRODUCTION DATE

PACKING CODE

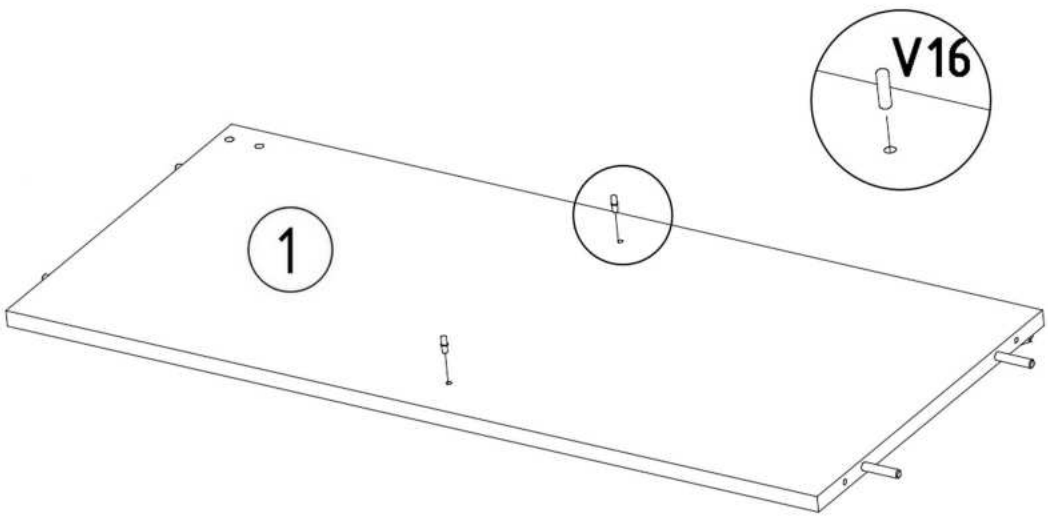






N2  L=45mm x3	M1  12x15mm x2	P3  L=350mm x4	R1  6x8mm x8
--	---	--	--

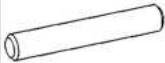

E1  8x30mm x2	E4  8x70mm x2
--	---

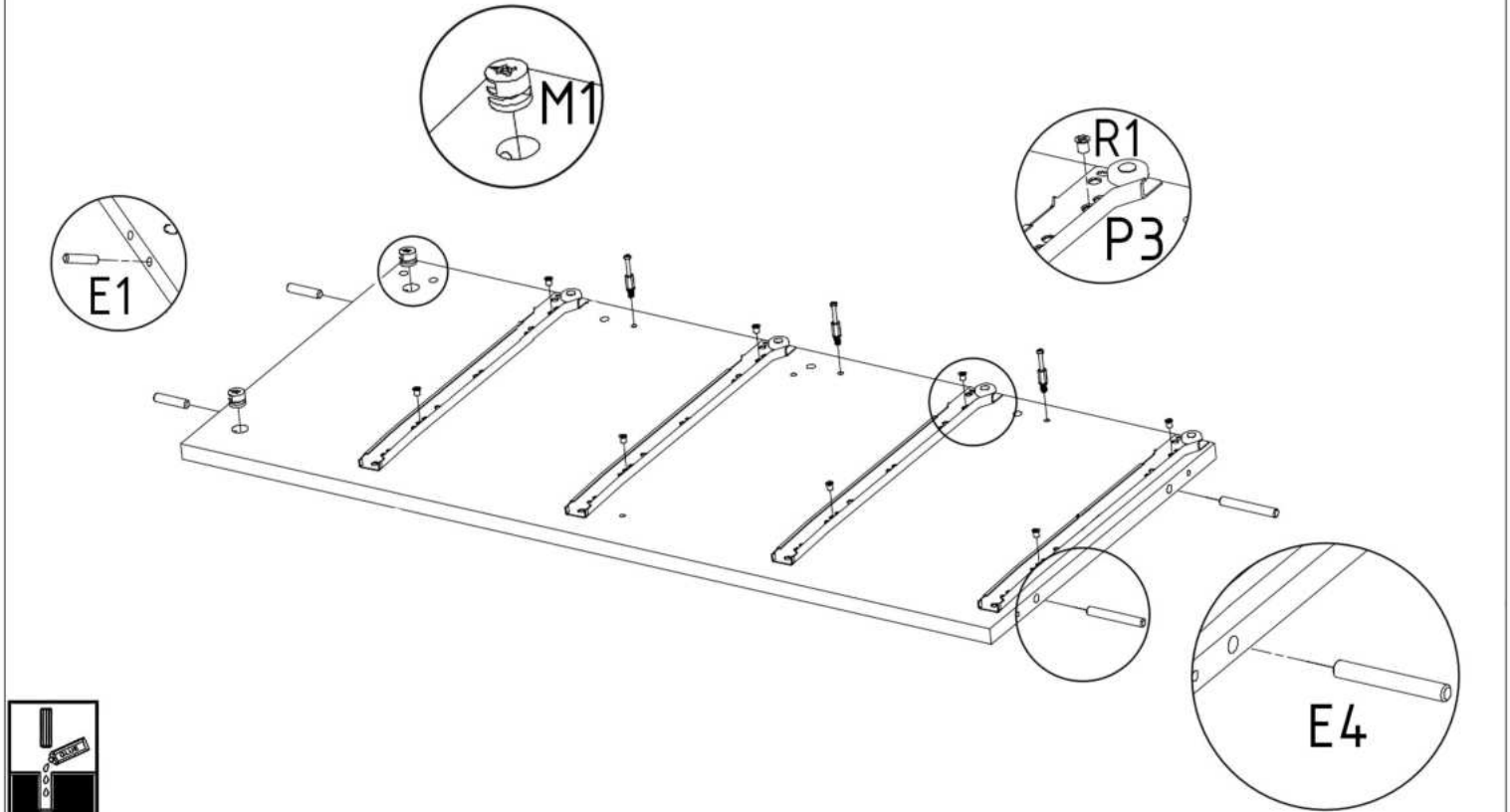
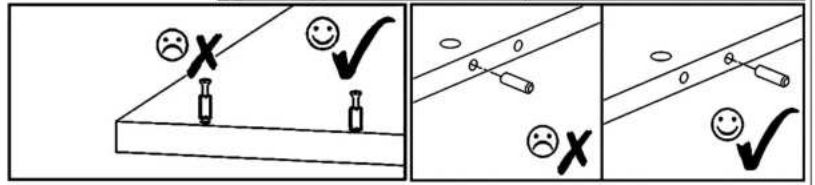


V16  5x16mm x2

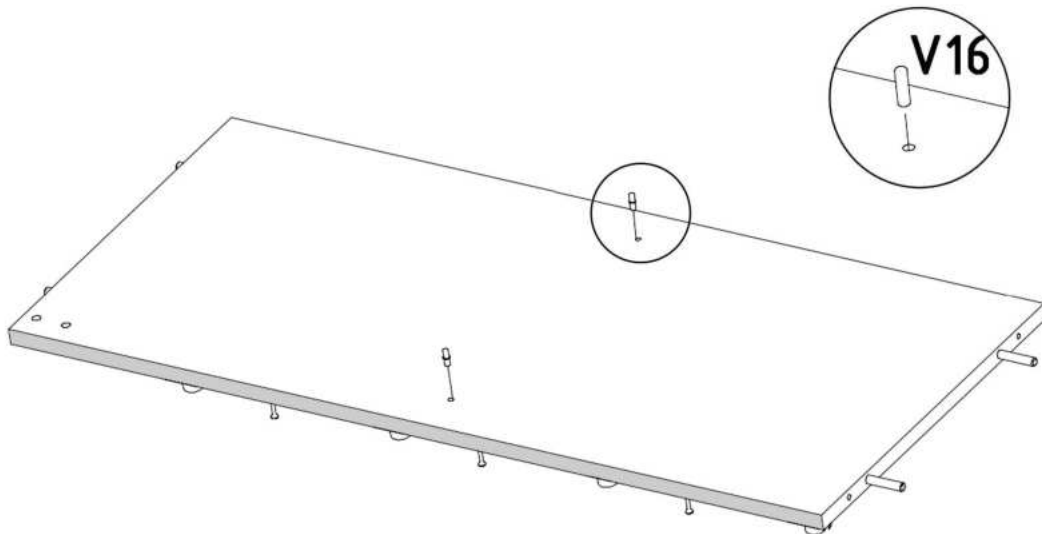


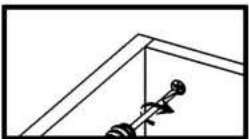
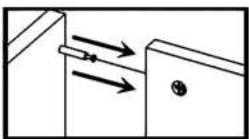
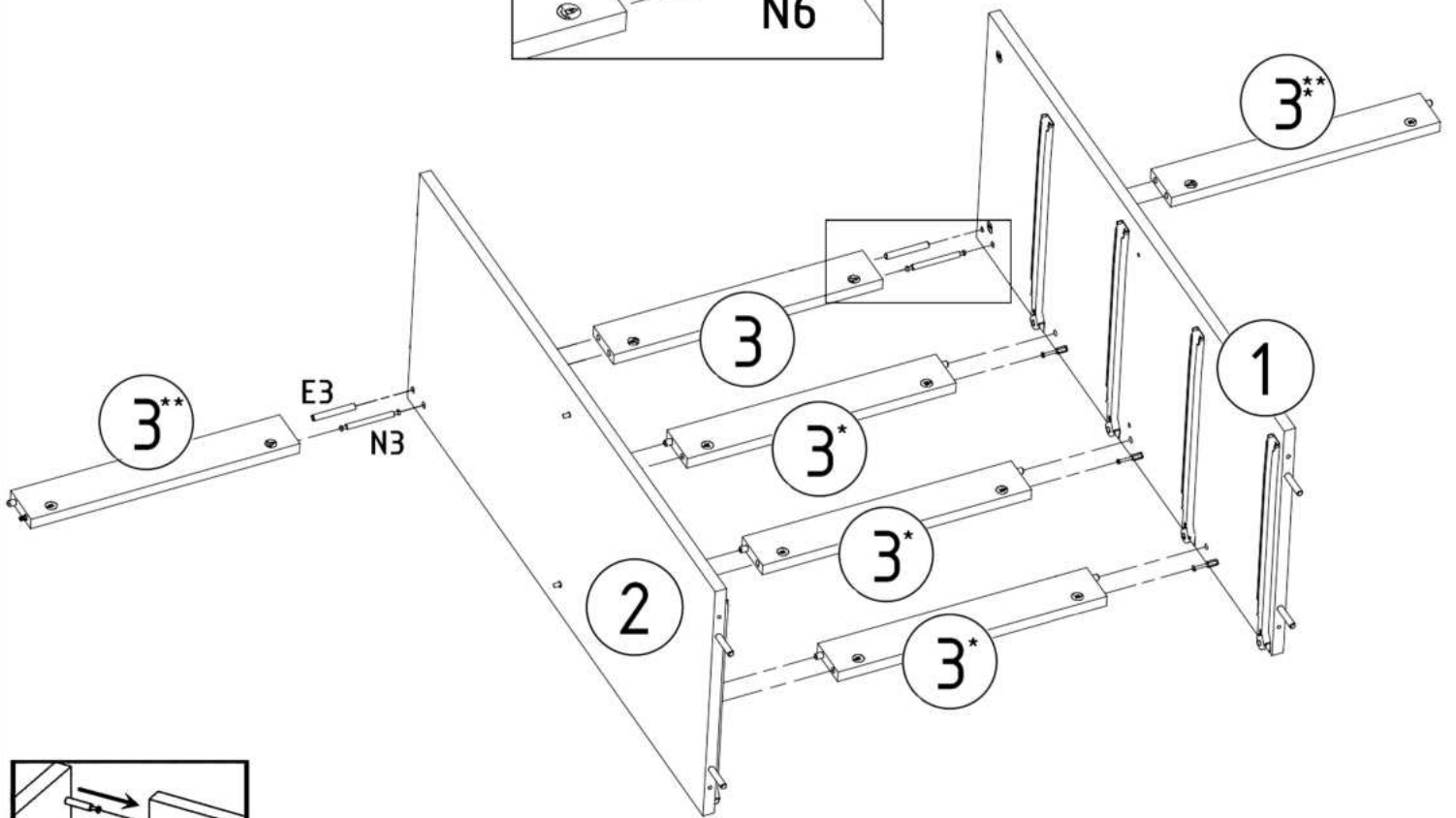
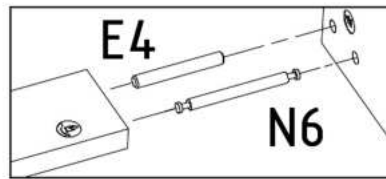
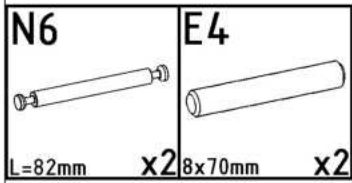
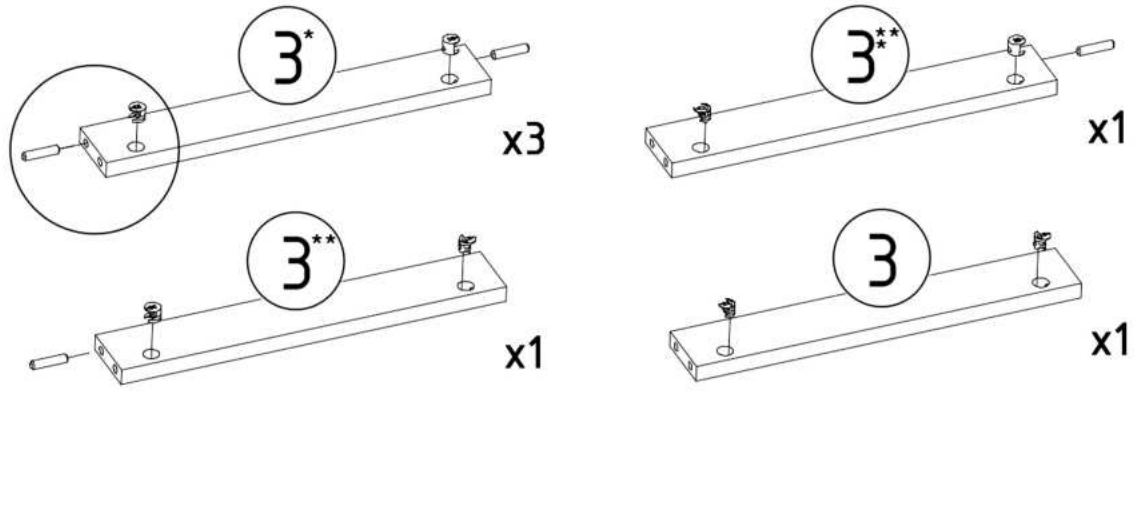
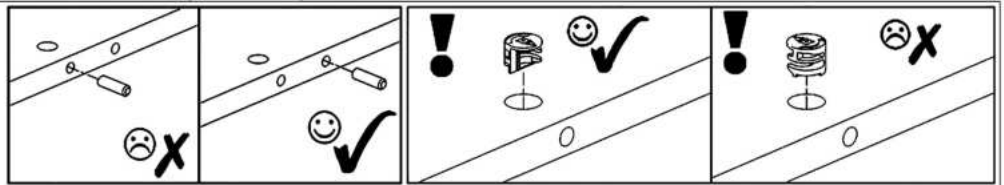
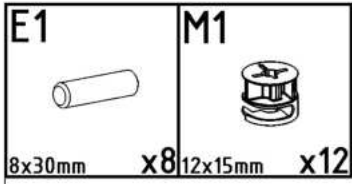
N2  L=45mm x3	M1  12x15mm x2	P3  L=350mm x4	R1  6x8mm x8
--	--	--	--

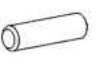

E4  8x70mm x2	E1  8x30mm x2
--	---

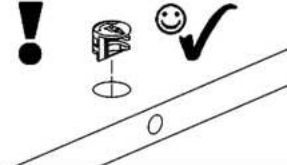



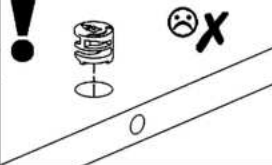





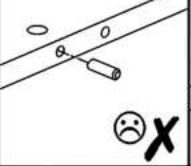
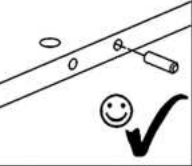
V16  5x16mm x2

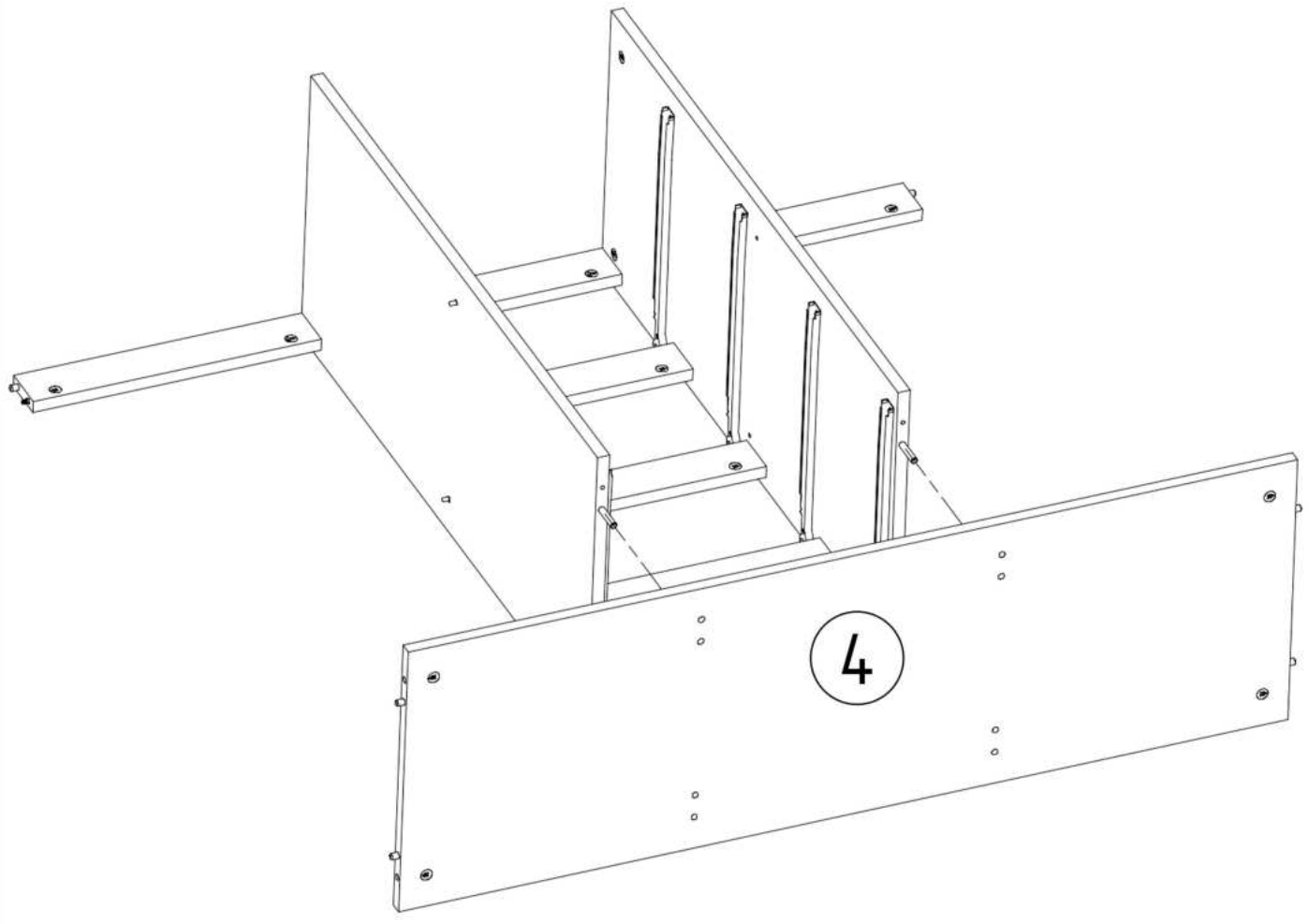
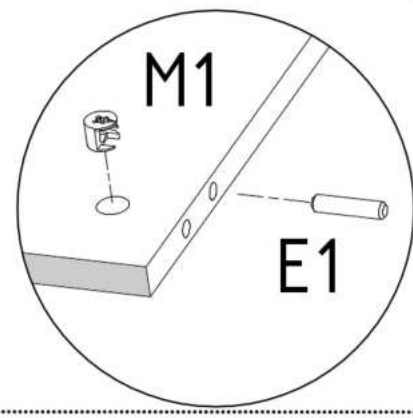
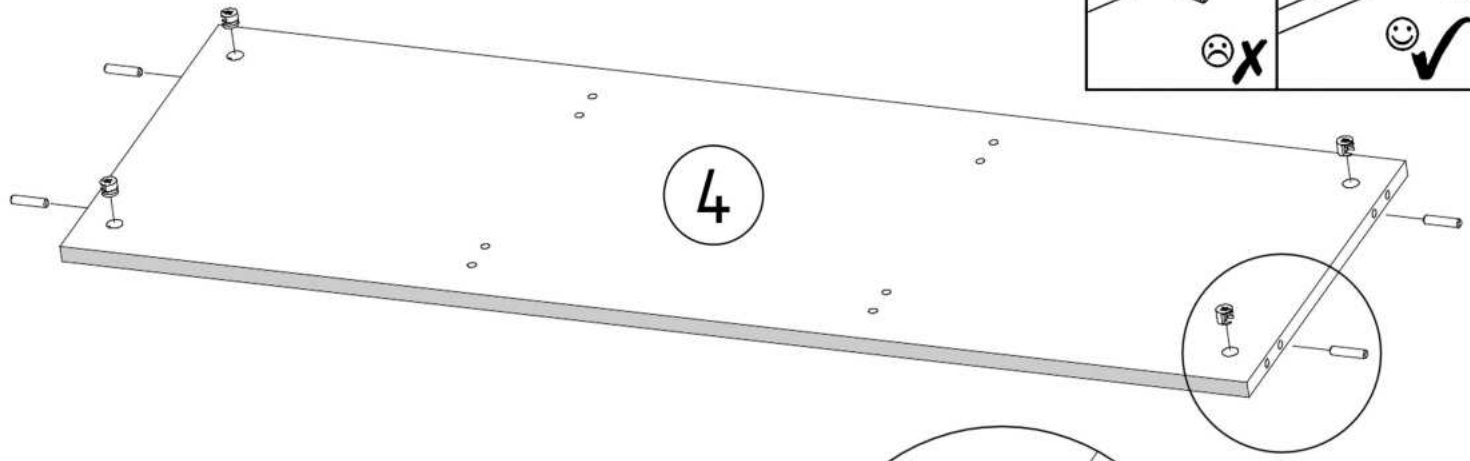






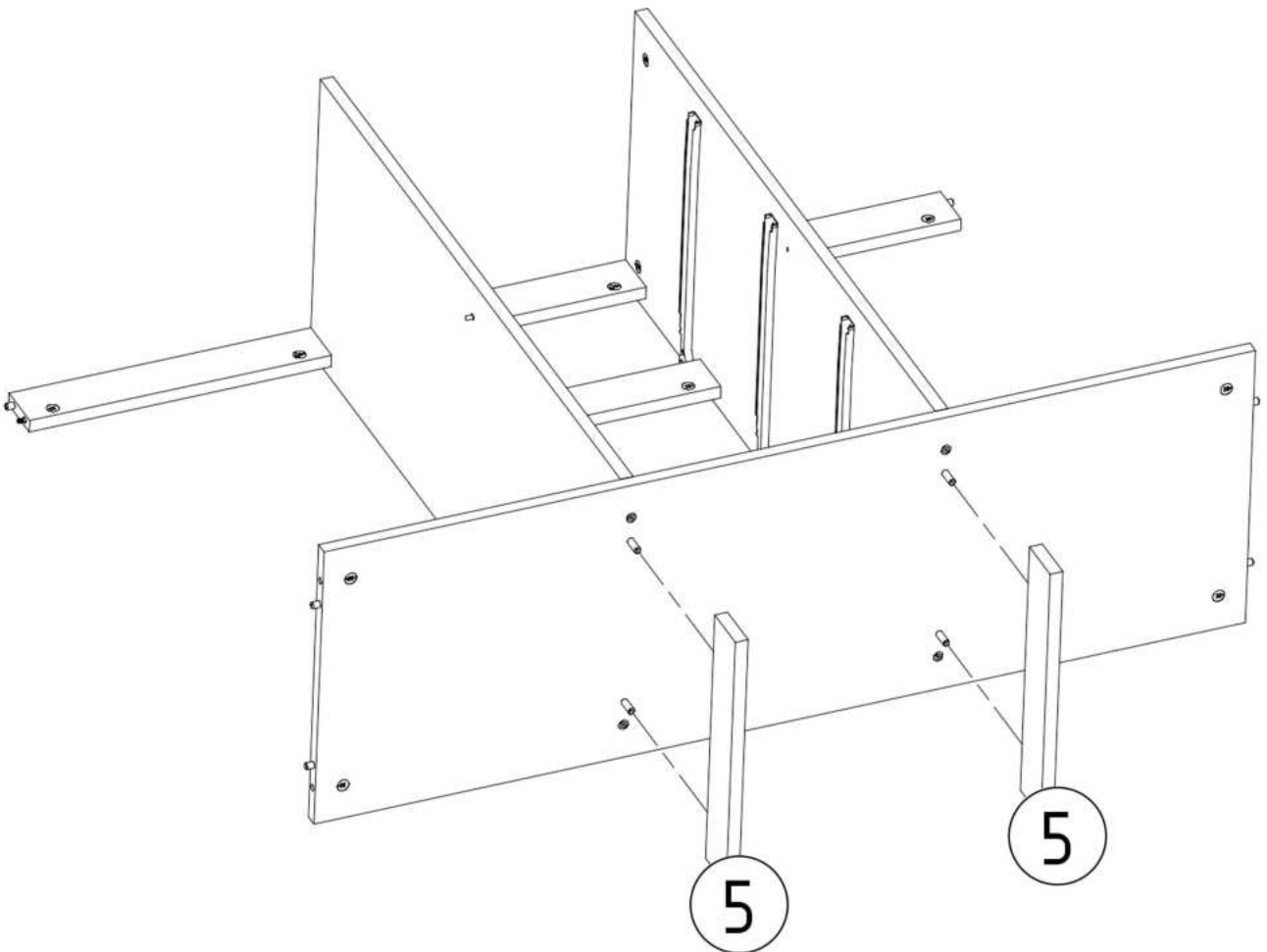
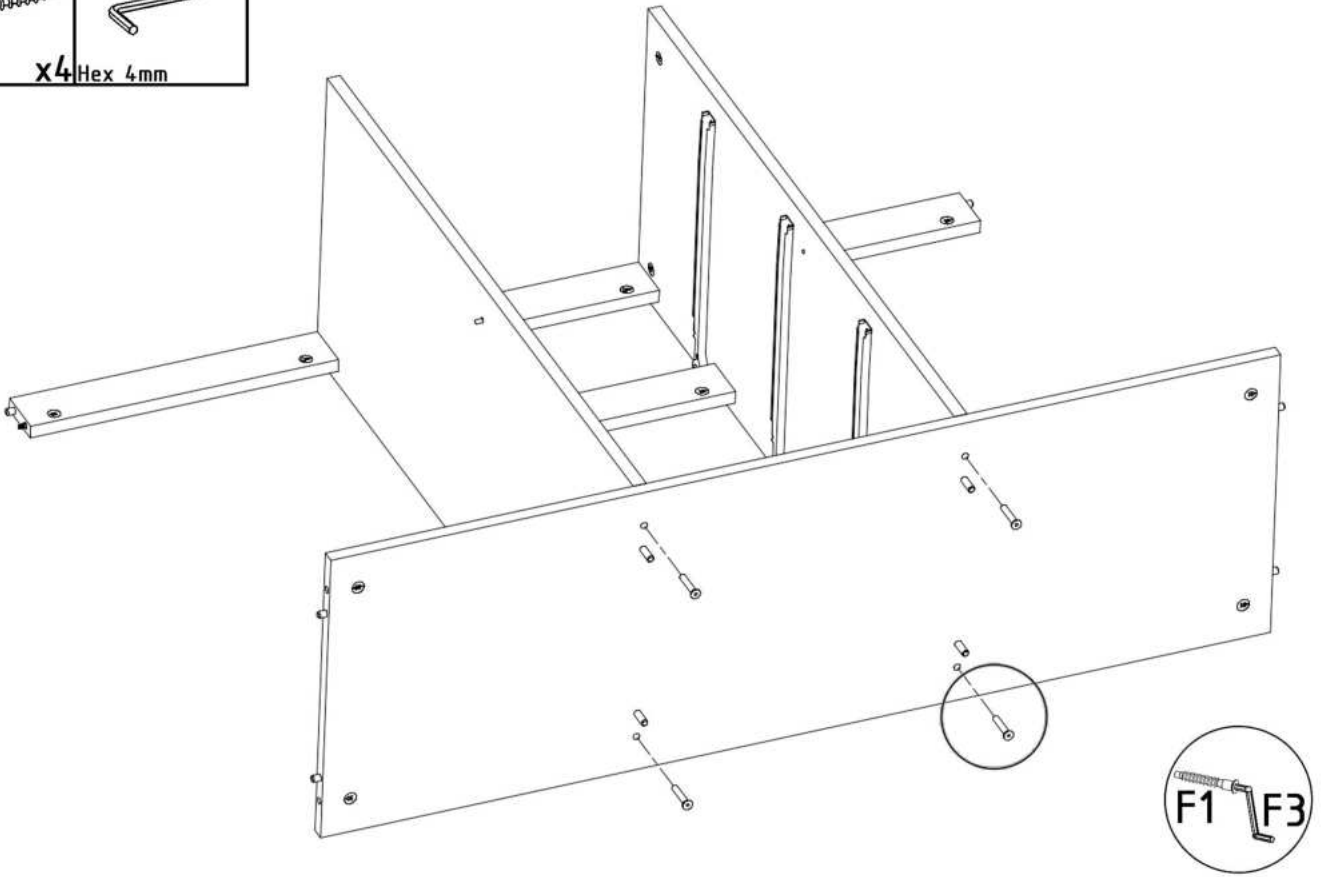
E1  8x30mm X4	M1  12x15mm X4
---	---





 !    ✓	 !    ✗
--	--

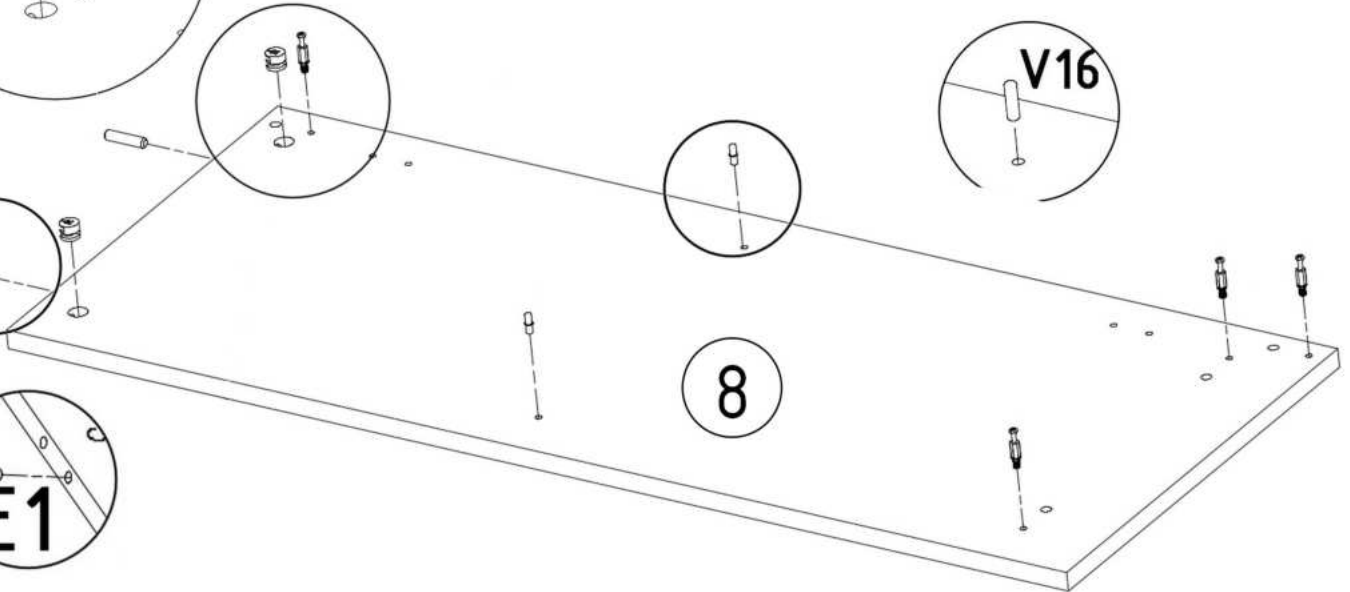
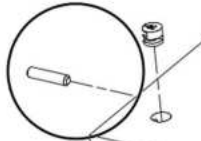
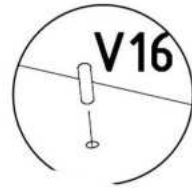
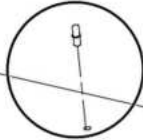
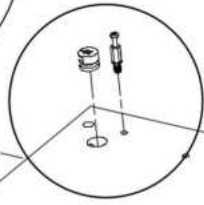
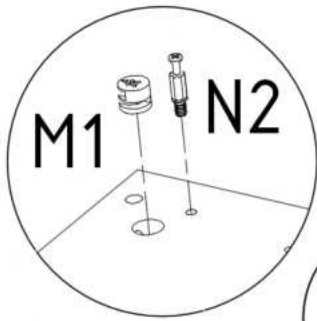
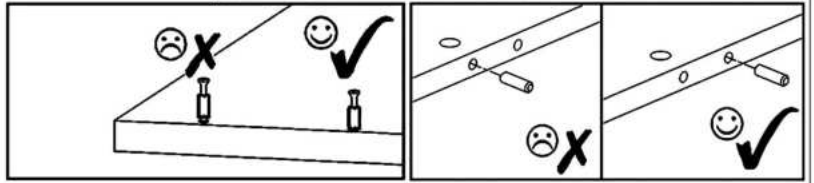
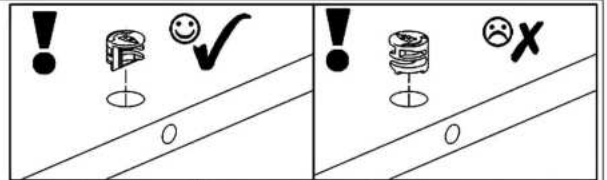
 ✗	 ✓
--	--







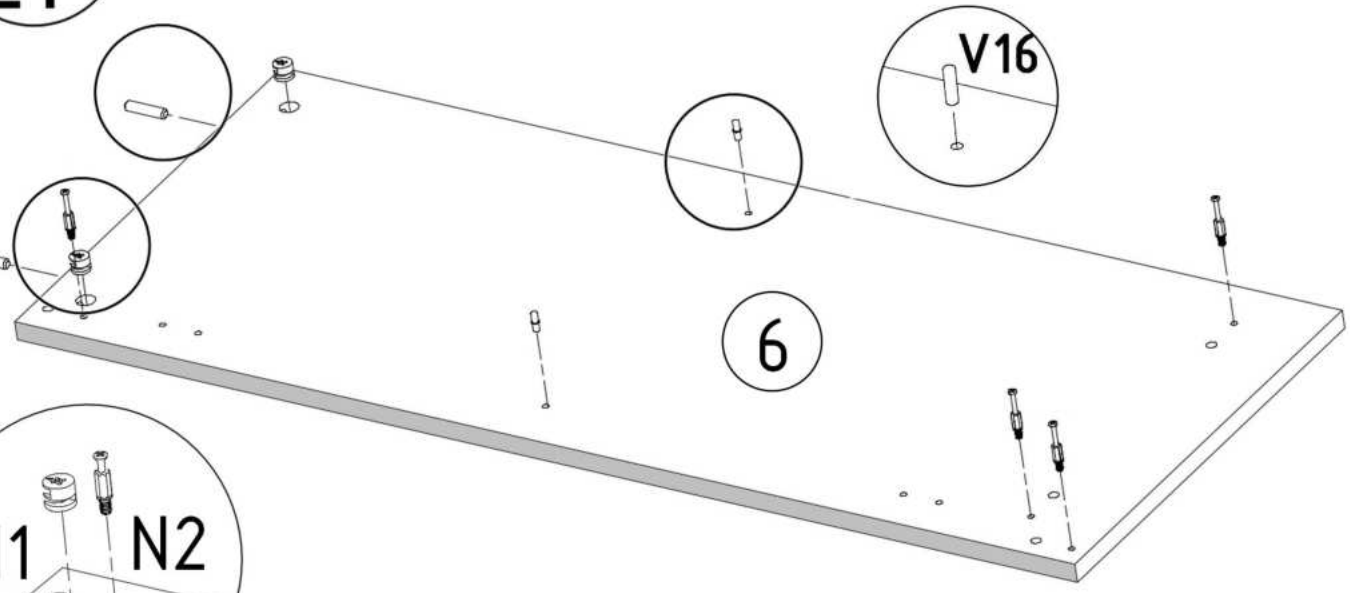
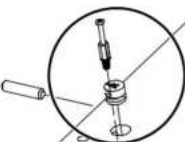
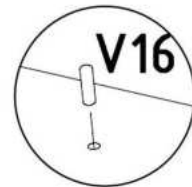
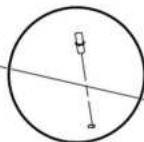
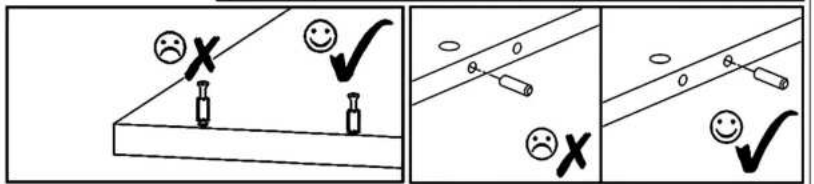
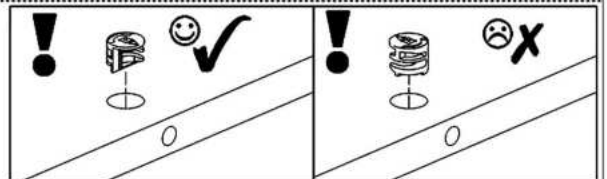
F1  7x50mm	F3  X4 Hex 4mm
---	---









N2  L=45mm X4	M1  12x15mm X2	E1  8x30mm X2	V16  5x16mm X2
--	--	---	--

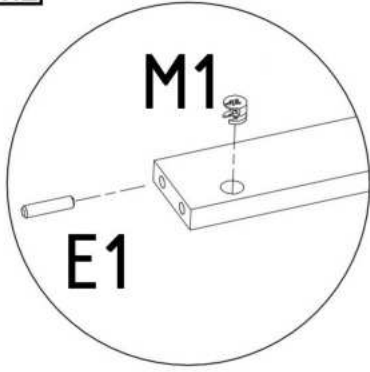


N2  L=45mm X4	E1  8x30mm X2	V16  5x16mm X2	M1  12x15mm X2
--	---	--	--







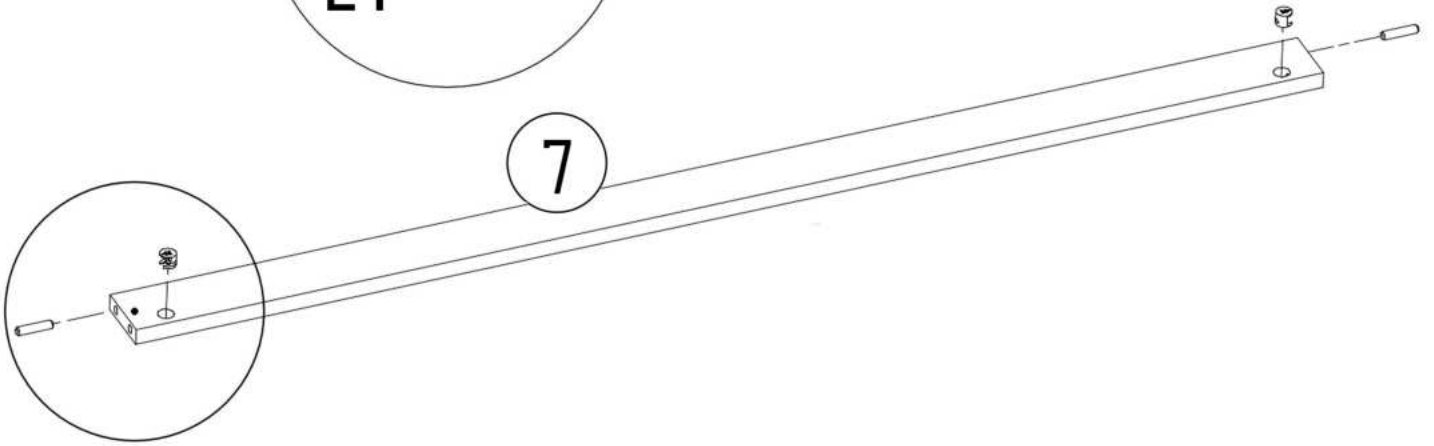
E1  8x30mm	M1  12x15mm
x2	x2

   
--

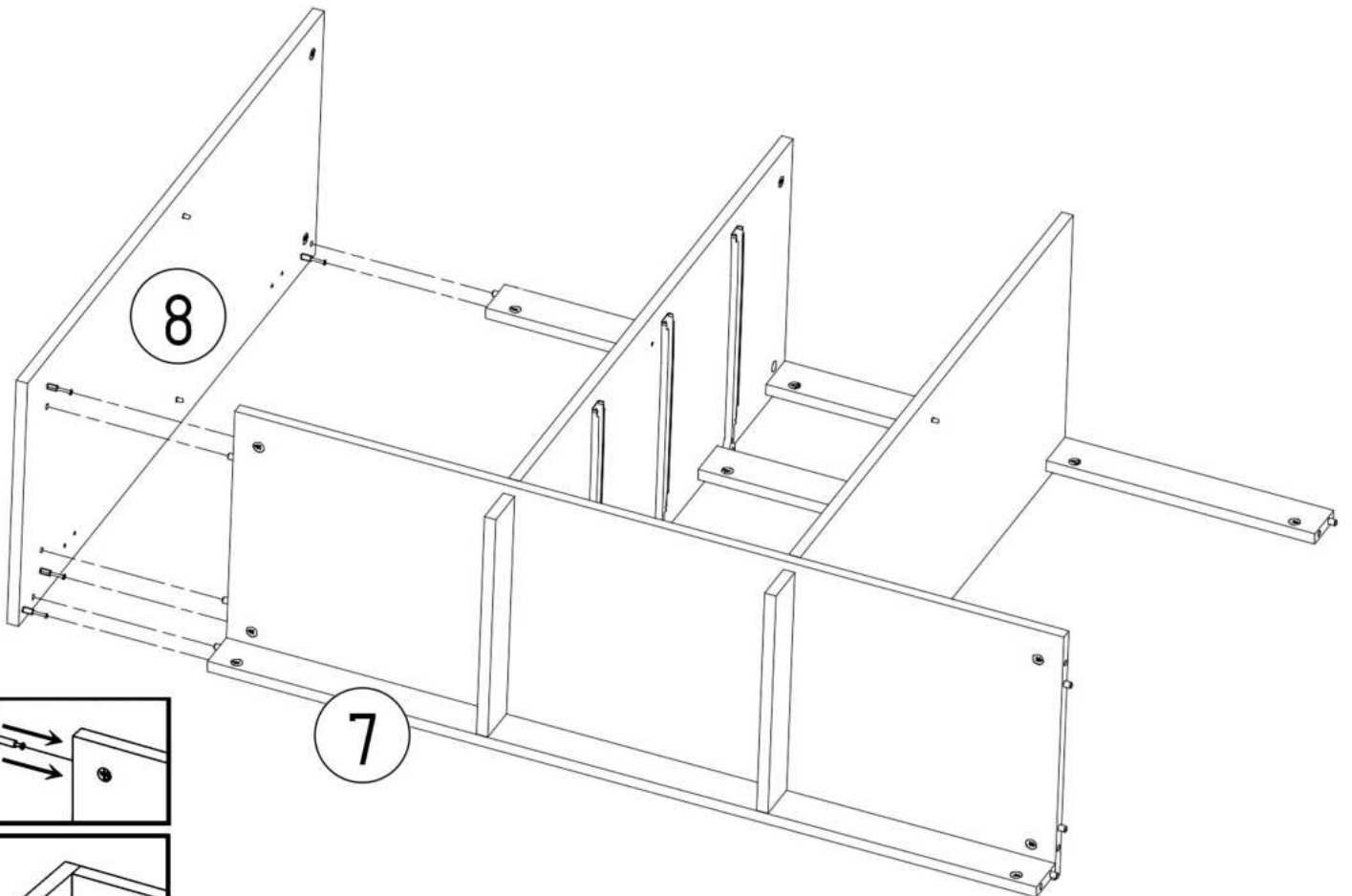


M1
E1

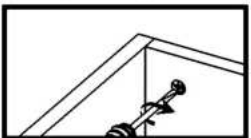
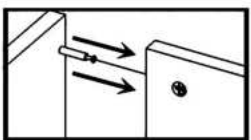
 	 
---	---

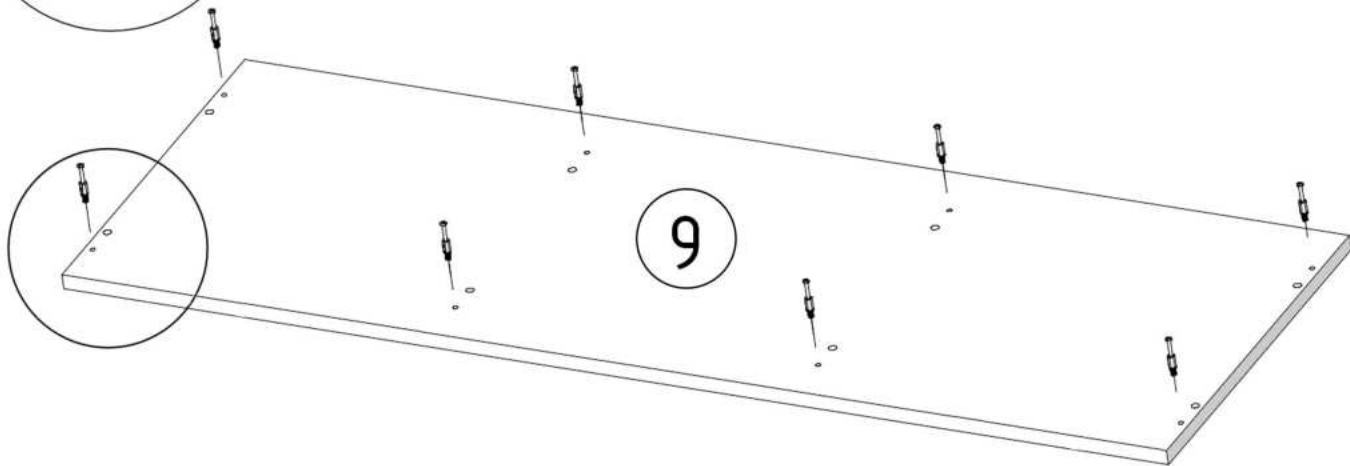
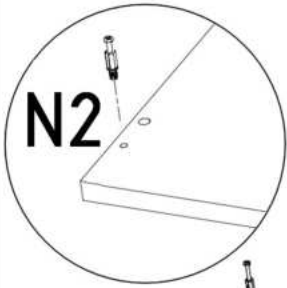
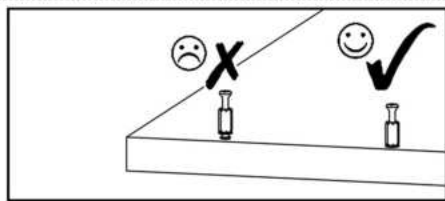
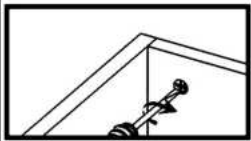
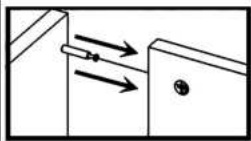
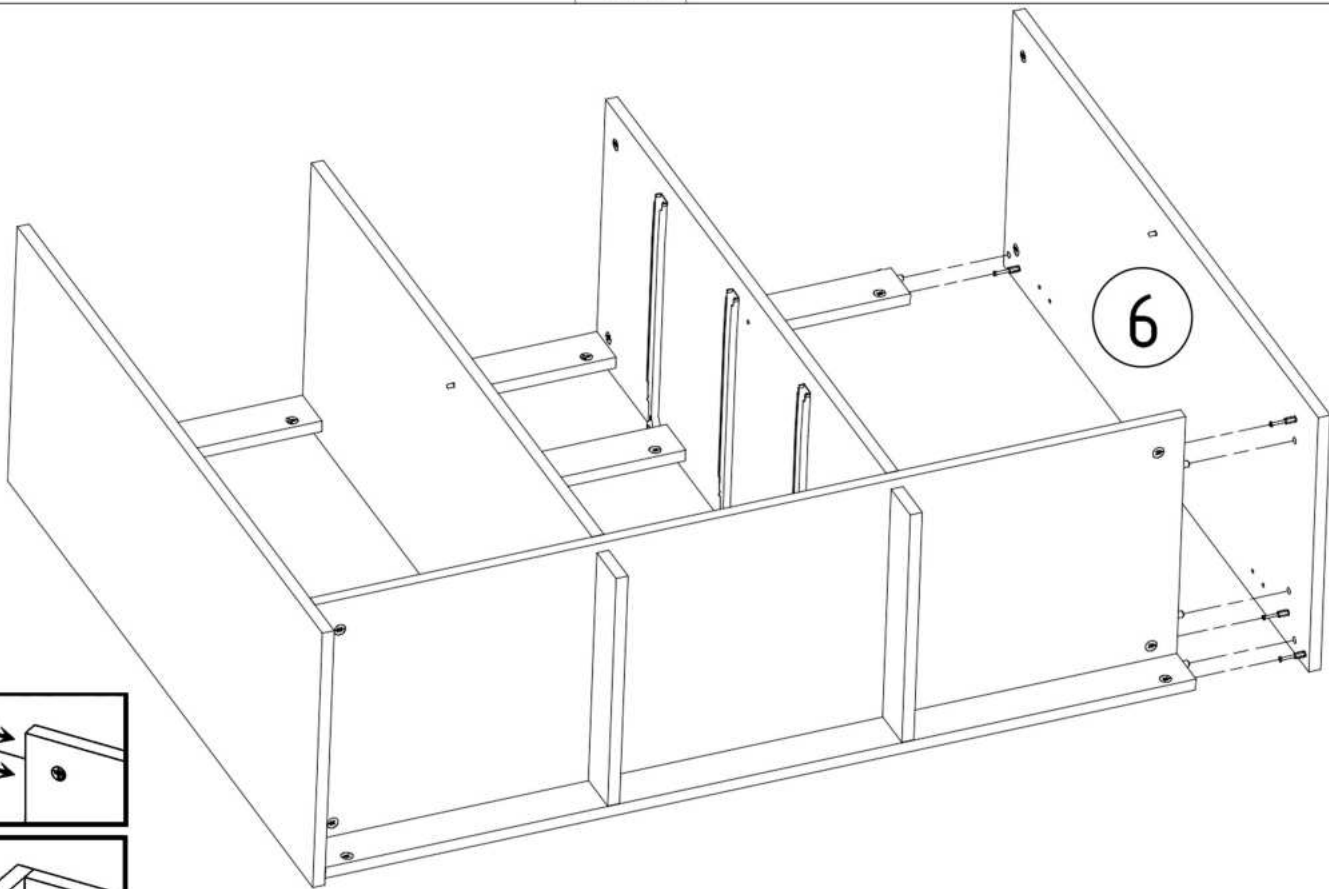


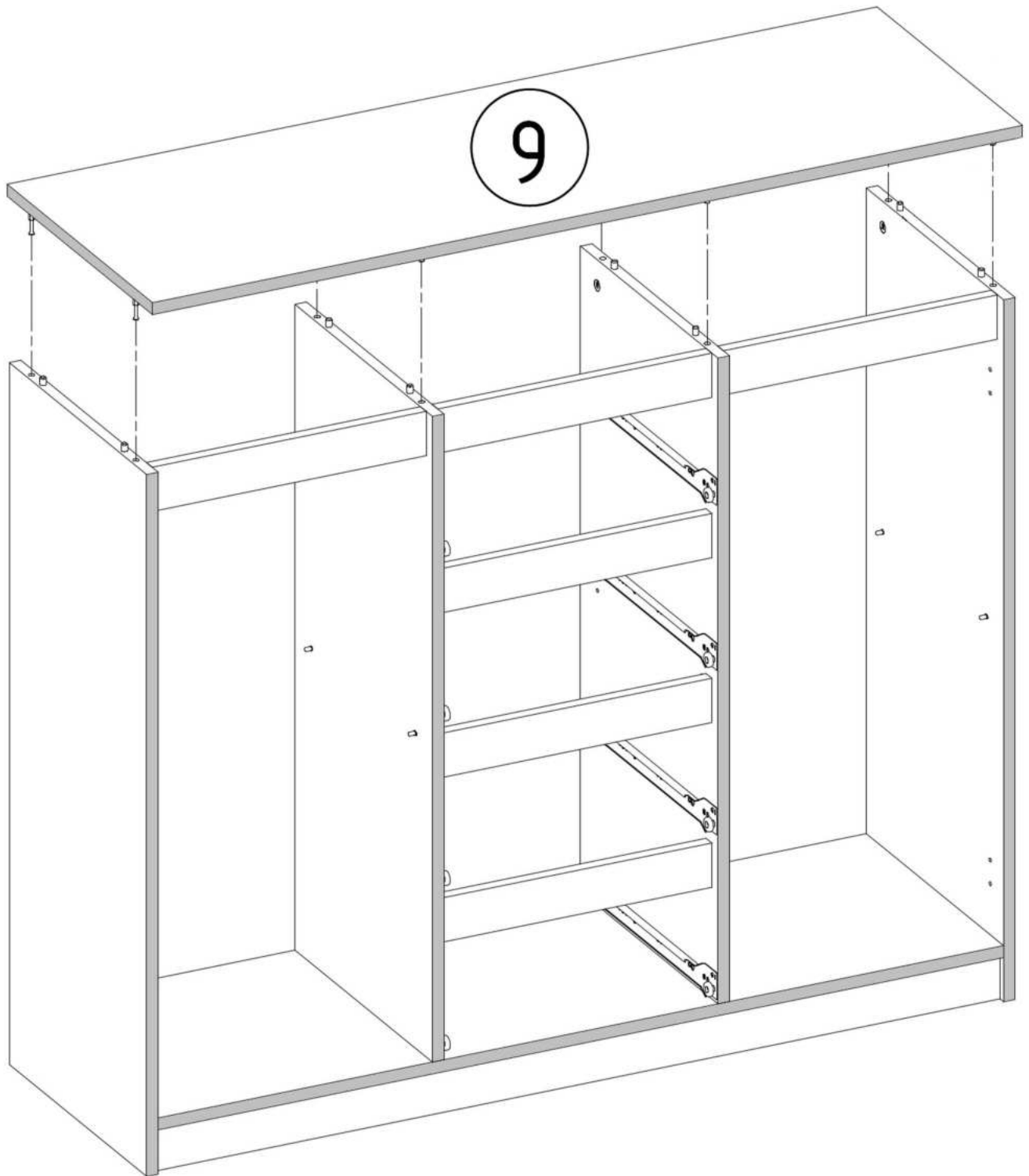
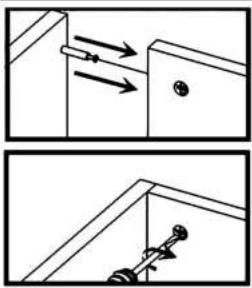
7







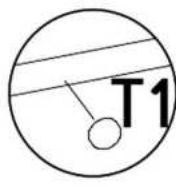
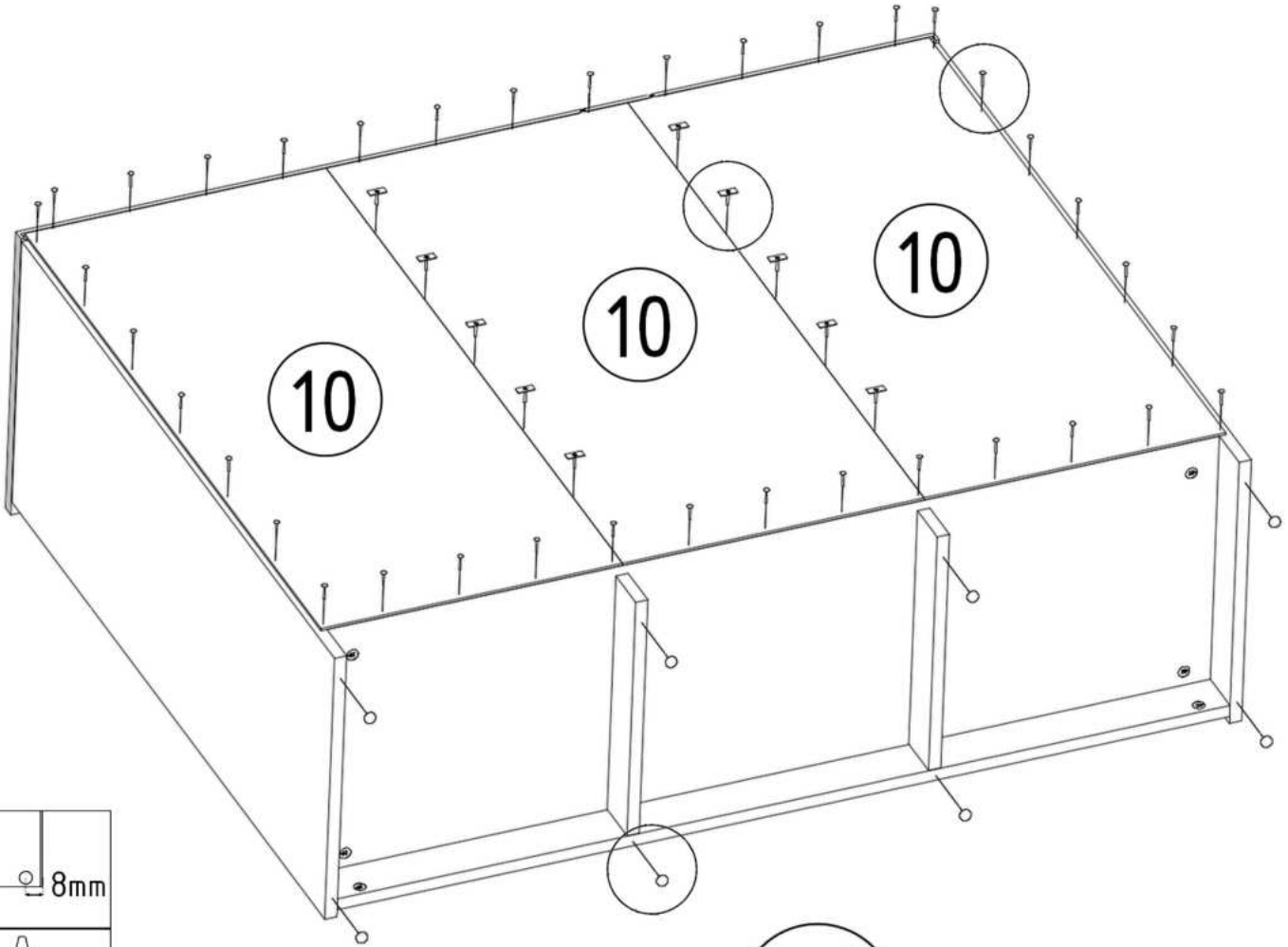
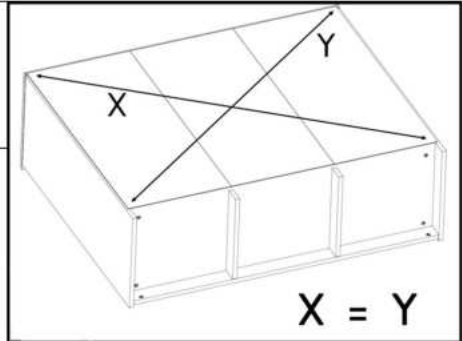
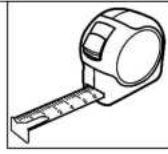
8
7







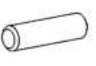


<p>S6</p>  <p>2,5x20mm x10</p>	<p>V15</p>  <p>x10</p>	<p>T1</p>  <p>x8</p>	<p>Z1</p>  <p>x60</p>
--	--	---	--

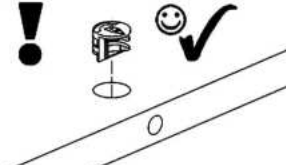
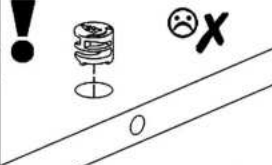


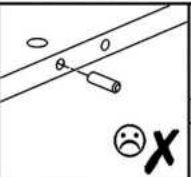
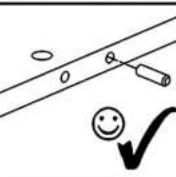
8mm

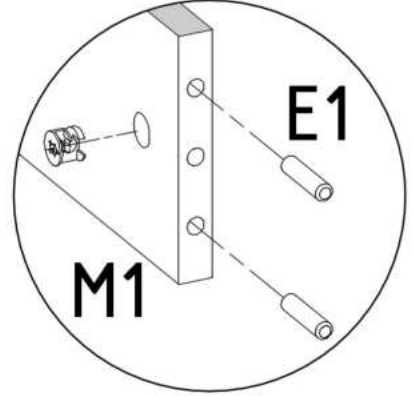
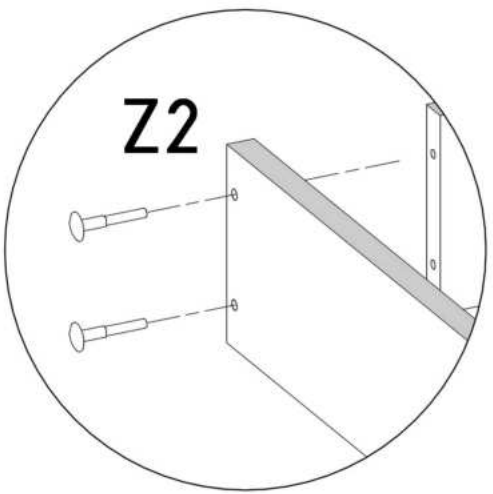
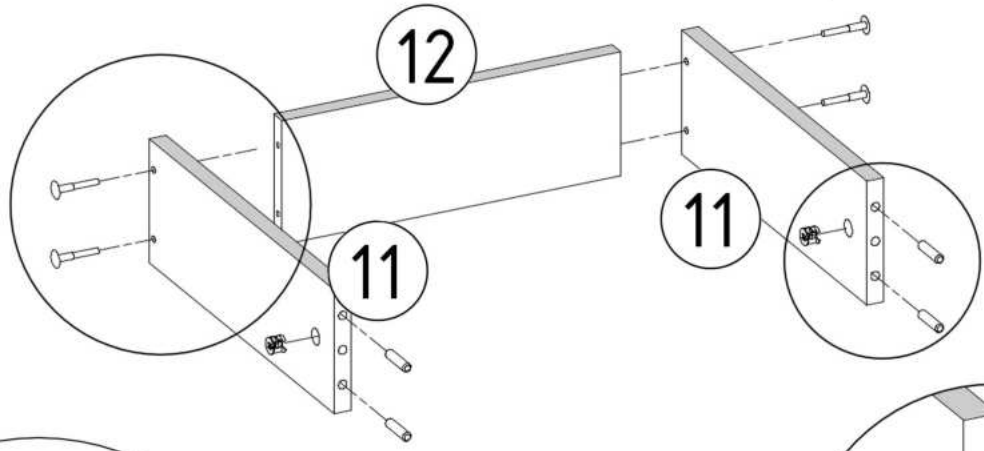
✓

✗

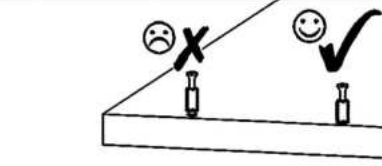
E1  8x30mm x16	M1  12x15mm x8	Z2  x16
--	---	--

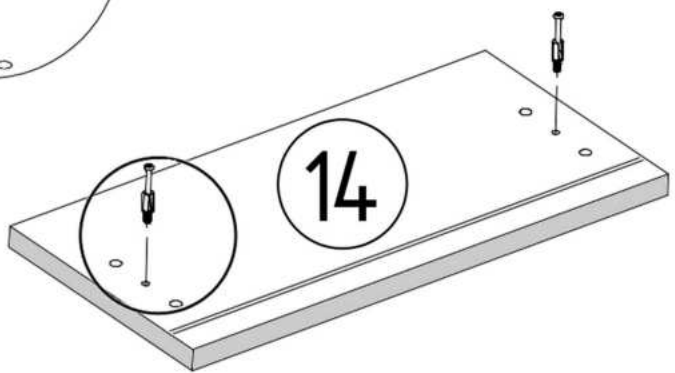
	
---	--

	
---	---




N2  L=45mm x8
--



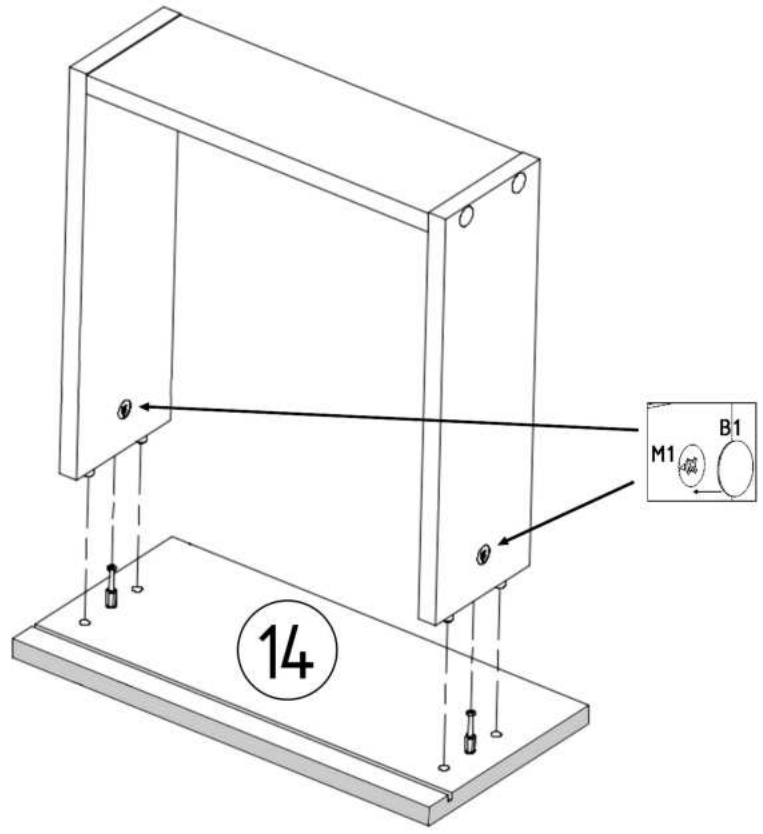
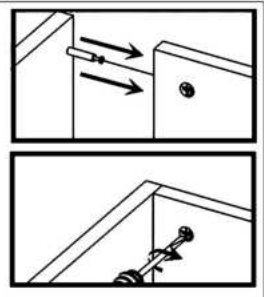


x4




B1

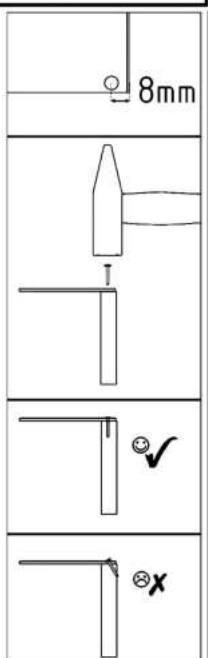
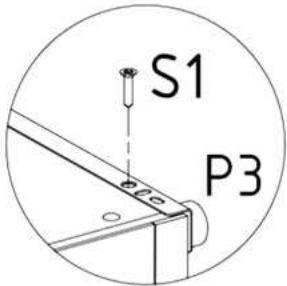
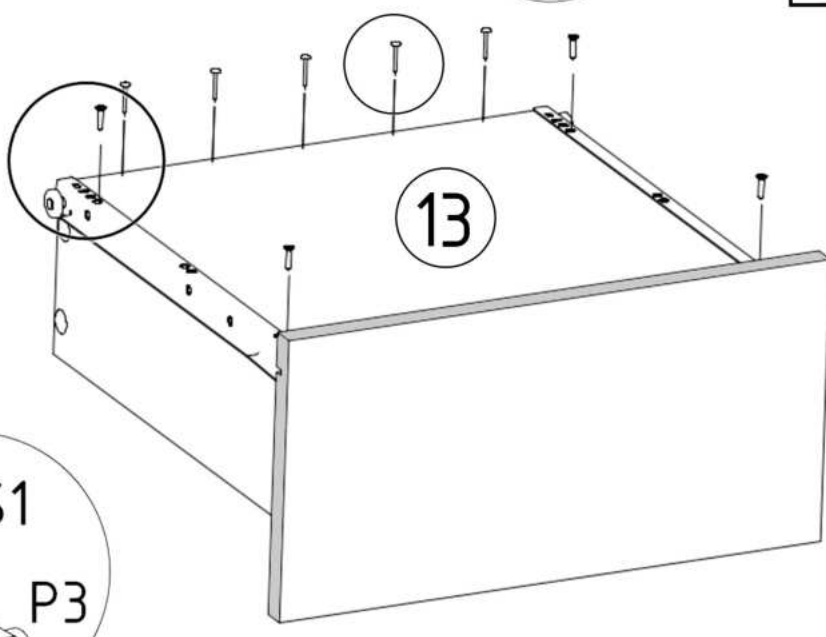
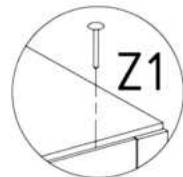
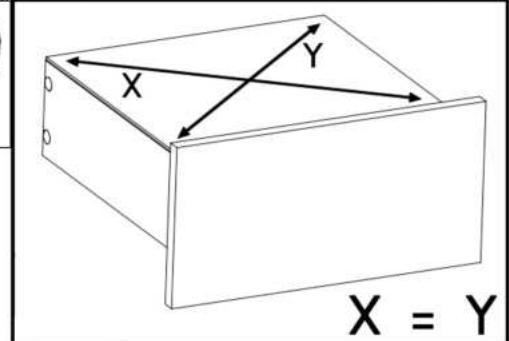
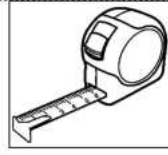


ø17/4mm x8



x4

Z1	S1	P3
		
x10	3,5x16mm	x16 L=350mm
		x4



x4

A1



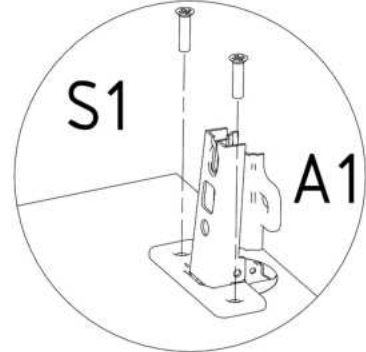
ZP

x4

3,5x16mm

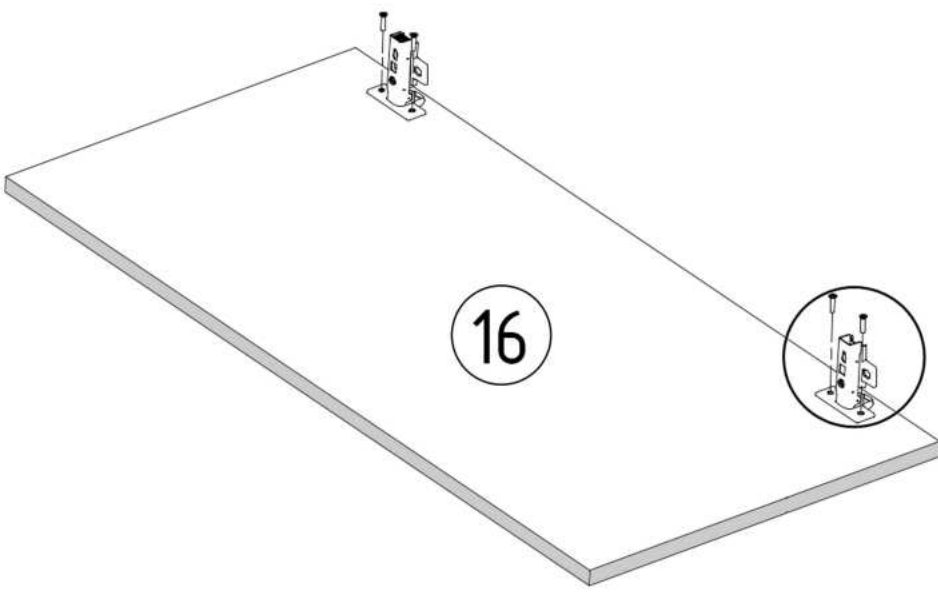
x8

S1

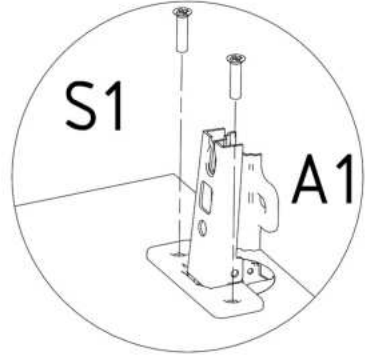
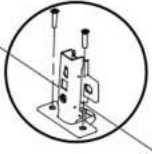


S1

A1

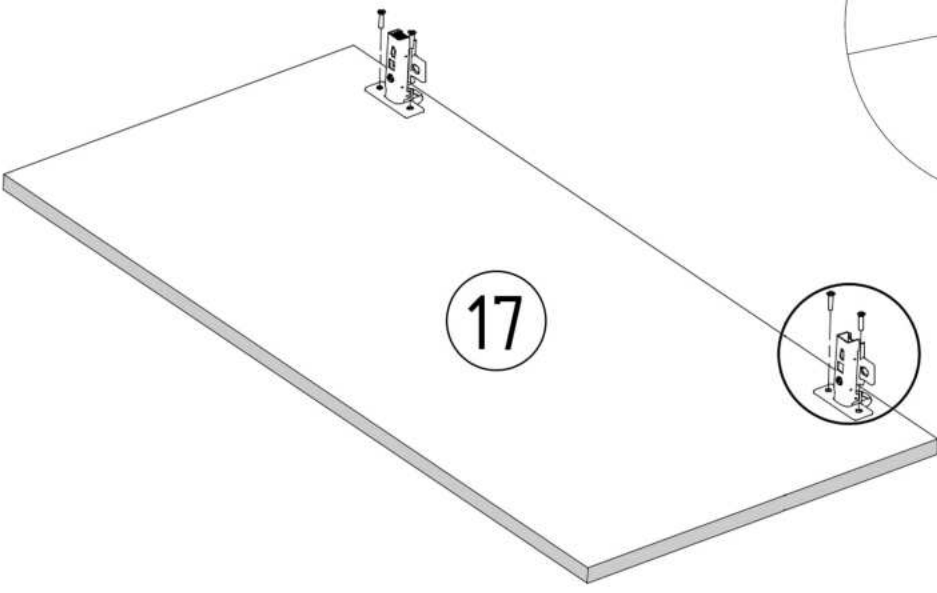


16

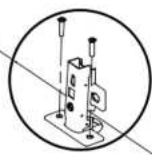


S1

A1



17



V13



x1

